

IDM Series

SMT Shielded Power Inductors – IDM6028

TRIGON
COMPONENTS



FEATURES

- Magnetically shielded construction.
- Compact and thin.
- Large Current and Low DCR.

APPLICATION

- Computers, DC/DC converter, VCR camera, etc.

ORDERING CODE

IDM6028 **M** **220** **I**
(1) (2) (3) (4)

(1) SMT Shielded Power Inductors

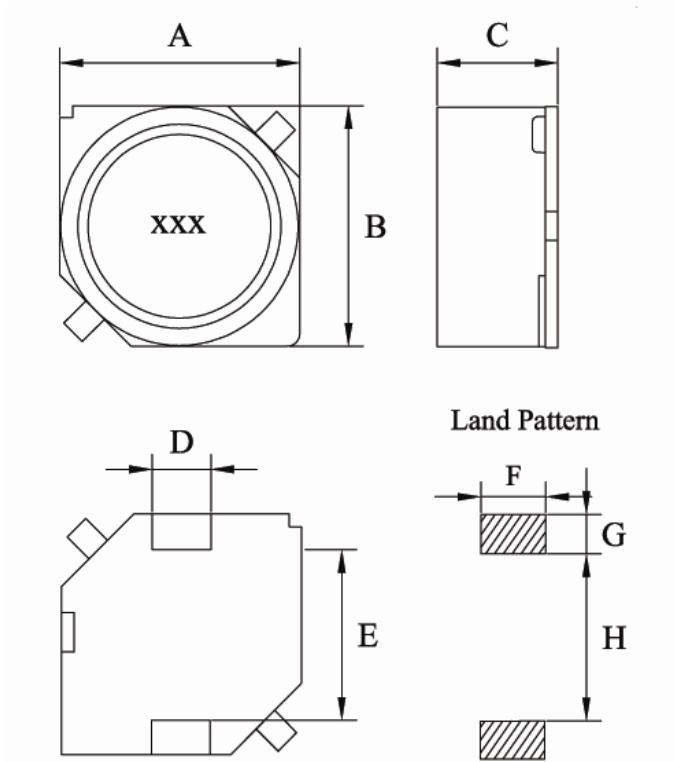
IDM6028

(2) Tolerance Code:
K: 10%, L: 15%, M: 20%
N: 30%

(3) Inductance

(4) Package

Configurations:



Dimension (mm) for IDM6028

| A (max) | B (max) | C (max) | D ±0.2 | E (max) | F | G | H |
|------------|------------|------------|-----------|------------|-----|-----|-----|
| 6.2 | 6.2 | 3.0 | 1.8 | 3.0 | 2.2 | 1.8 | 2.5 |

※Design as Customer's Requested Specifications.

Inductance Range

| Item | μH |
|----------------|----------------|
| IDM6028 | 10.00 ~ 330.00 |

IDM Series

SMT Shielded Power Inductors – IDM6028

TRIGON
COMPONENTS

Electrical Characteristics for IDM6028 Series

| Part Number | Inductance (μ H) | Test Freq. (KHz) | DCR (Ω) (max) | IDC (A) (max) |
|-------------|--------------------------|-----------------------|---------------------------|------------------|
| IDM6028M100 | 10.00 | 1 | 0.150 | 1.10 |
| IDM6028M120 | 12.00 | 1 | 0.200 | 1.00 |
| IDM6028M150 | 15.00 | 1 | 0.230 | 0.90 |
| IDM6028M180 | 18.00 | 1 | 0.270 | 0.80 |
| IDM6028M220 | 22.00 | 1 | 0.340 | 0.74 |
| IDM6028M270 | 27.00 | 1 | 0.380 | 0.66 |
| IDM6028M330 | 33.00 | 1 | 0.450 | 0.59 |
| IDM6028M390 | 39.00 | 1 | 0.490 | 0.54 |
| IDM6028M470 | 47.00 | 1 | 0.690 | 0.50 |
| IDM6028M560 | 56.00 | 1 | 0.780 | 0.46 |
| IDM6028M680 | 68.00 | 1 | 1.070 | 0.42 |
| IDM6028M820 | 82.00 | 1 | 1.210 | 0.38 |
| IDM6028M101 | 100.00 | 1 | 1.390 | 0.34 |
| IDM6028M121 | 120.00 | 1 | 1.900 | 0.31 |
| IDM6028M151 | 150.00 | 1 | 2.180 | 0.28 |
| IDM6028M181 | 180.00 | 1 | 2.770 | 0.26 |
| IDM6028M221 | 220.00 | 1 | 3.120 | 0.23 |
| IDM6028M271 | 270.00 | 1 | 4.380 | 0.22 |
| IDM6028M331 | 330.00 | 1 | 4.940 | 0.19 |

※Test Freq. : 1KHz / 0.25V

※Operating Temp. : -40°C ~ +85°C

※Inductance drop=10% typ. at IDC