

● SAFETY APPROVAL

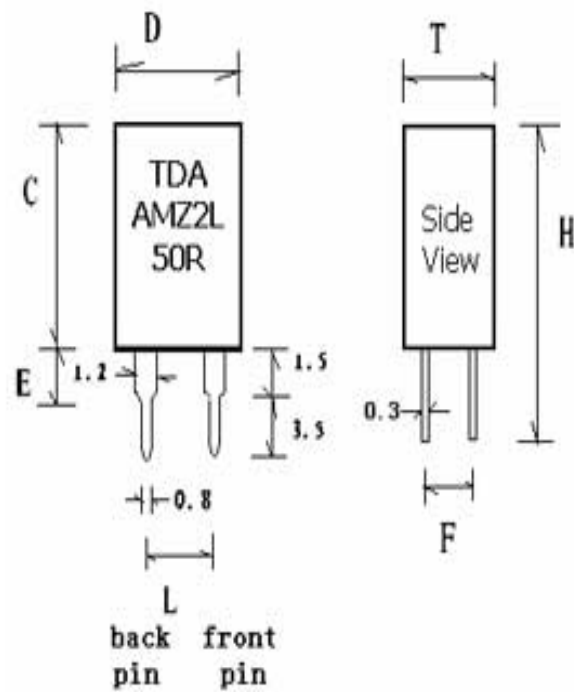
UL: E247574

TUV: R50074554

● APPLICATION:

CPTC thermistor for over current and short circuit protection

● APPEARANCE AND SIZE:



Unit: ( mm )

C	D	E	F	H	L	T
9.0±0.2	9.0±0.2	1.5±0.2	2.6±0.2	14±0.2	5.0±0.2	4.3±0.2

● PHOTO

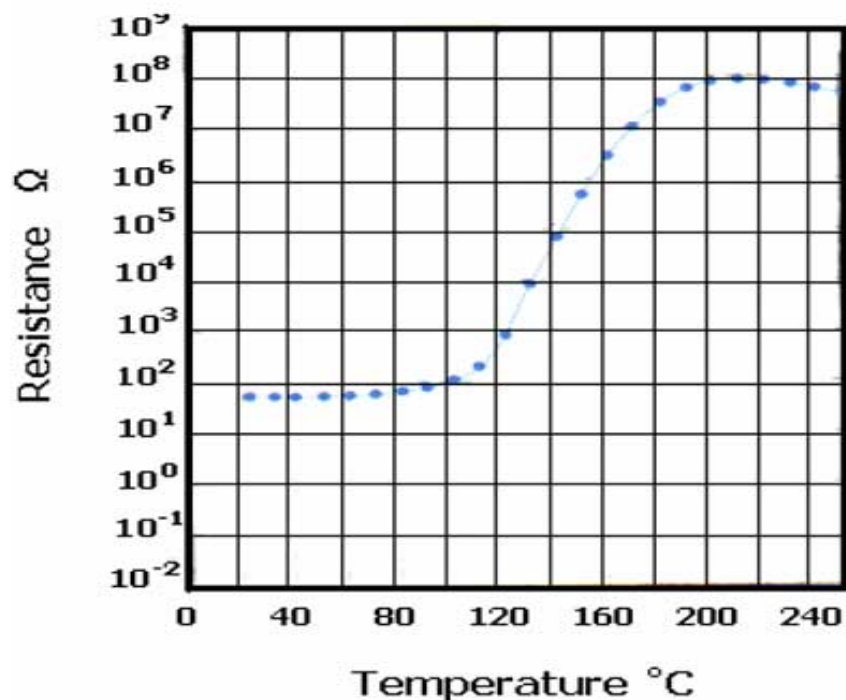


● MARKING: TDA  
AMZ2L  
50R

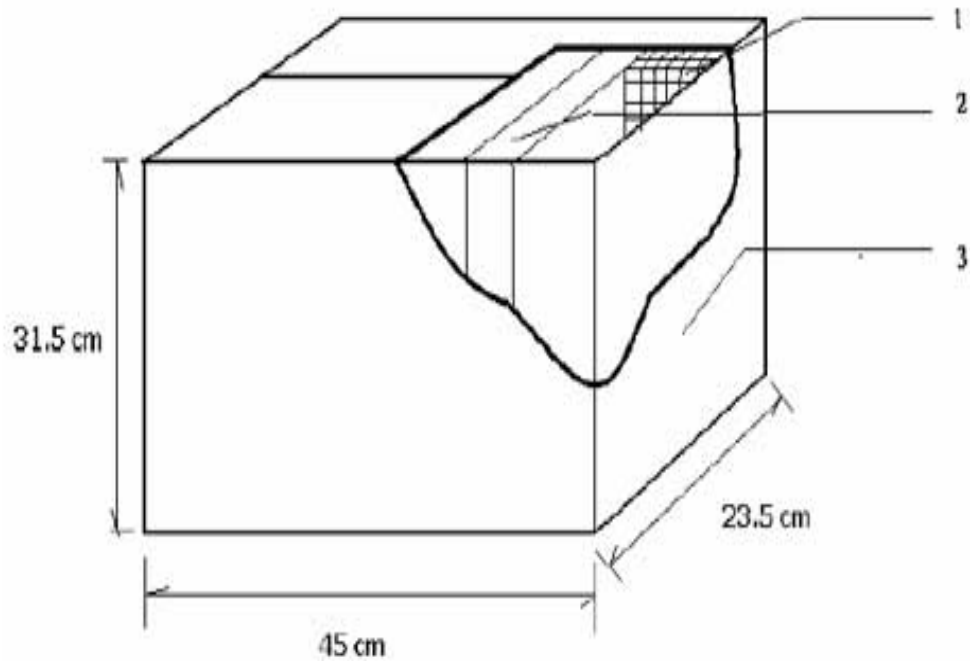
● ELECTRICAL REQUIREMENTS:

No	Electrical Characteristics	Min.	Typ.	Max.	Unit
1	Rated zero power resistance (25°C)	45	50	55	Ω
2	The initial resistance deference of two PTC thermistor at 25°C			0.5	Ω
3	Hold current 40±2°C	50			mA
4	Switching time 3A→0.5A 1A→0.5A 0.35A→0.15A			100 400 7	mS mS S
5	Recovery time			60	S
6	Surge test : 10/1000μs, 1.0KV, 25A, impulse 30 times, No crack and fire		25		A
7	Power induction test: AC600, 1A , On 1s ,Off 60 s , 10 times, No damage and fire		600		V
8	Power conduct test: AC 250V, no current-limited resistance For 15min, no damage		250		V
9	Power induction test: AC220V , 3A , on 1 min , off 10min , 20times , ΔR/R≤20%		220 3		V A

● R-T CURVE:



● **PACKAGE:**



Package	Form	Dimension (cm)	Qty (pcs)	Gross Weight (kg)
Minimum package	plastic box	L:11.5 W:9.0 H:2.0	200	0.3
Middle package	foam box	L:29.5 W:22.0 H:13.0	5000	7.5
Maximum package	carton	L:45 W:23.5 H:31.5	15000	23

AMZ2L-50R weight/pcs : 1.1-1.3g

-- THE END--